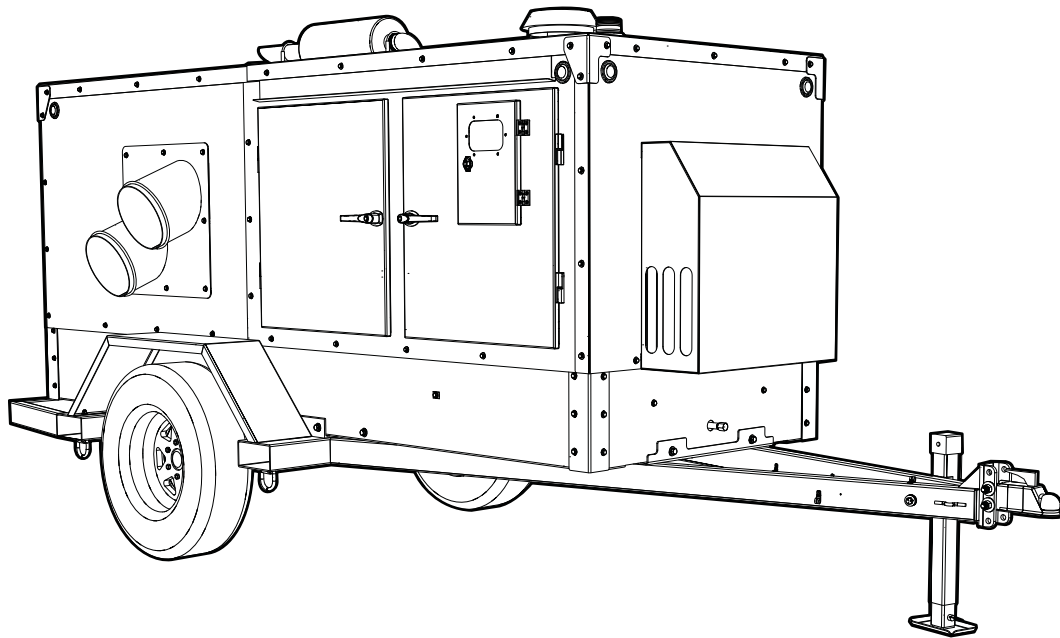


MFH500TDI

Flame-less Heater Parts Manual



02972

MODEL NUMBER: _____

SERIAL NUMBER: _____

DATE PURCHASED: _____

SAVE THIS MANUAL FOR FUTURE REFERENCE

 **WARNING**

CANCER AND REPRODUCTIVE HARM

www.P65Warnings.ca.gov

(000393a)

 **WARNING**

Breathing diesel engine exhaust exposes you to chemicals known to the State of California to cause cancer and birth defects or other reproductive harm.

- Always start and operate the engine in a well-ventilated area.
- If in an enclosed area, vent the exhaust to the outside.
- Do not modify or tamper with the exhaust system.
- Do not idle the engine except as necessary.

For more information go to

www.P65Warnings.ca.gov/diesel

(000394)

Introduction

This parts manual was prepared based on the information available at the time of publication and is subject to change without notice. Generac Mobile Products reserves the right to change parts at any time. To check whether a revised parts manual is available, contact Generac Mobile Products.

DO NOT MODIFY or use this equipment for any application other than which it was designed for. To keep your equipment fully operational, it is suggested you maintain a stock of commonly used maintenance or service parts. A recommended spare parts list can be found in the back of this manual. To order service parts, please go to www.generacmobileproducts.com or call Generac Mobile Products.



WARNING

Consult Manual. Read and understand manual completely before using product. Failure to completely understand manual and product could result in death or serious injury.

(000100a)

WARNING

Environmental Hazard. Always recycle batteries at an official recycling center in accordance with all local laws and regulations. Failure to do so could result in environmental damage, death, or serious injury.

(000228)

GENERAC MOBILE PRODUCTS LLC

215 Power Drive • Berlin, WI 54923 U.S.A.

Phone: 920-361-4442

FAX: 920-361-4416

Toll Free: 1-800-926-9768

www.generacmobileproducts.com

For technical or parts QUESTIONS, contact Generac Mobile Products Technical Service at 1-800-926-9768.

Engine Make: _____

Engine Serial Number: _____

Engine Model Number: _____

This Page Intentionally Left Blank

Table of Contents

Introduction	iii
Parts Manual Instructions	1
Decal Location	2
Enclosure Panels	4
Roof and Doors to Unit	6
Enclosure Panels to Unit	8
Air to Air Exchange Assembly	10
Assembly - Rear Door, RH Rear Door	12
Assembly - Control Door	14
Assembly - LH Front, RH Rear Door	16
Assembly - Control Panel	18
Assembly - Radiator	20
Hydraulic Tank Assembly	22
Hydraulic Heat Exchanger Assembly	24
Engine Assembly	26
Containment / Enclosure Frame Assembly	28
Trailer Assembly	30
Tandem Trailer Assembly (If Equipped)	32
Recommended Spare Parts - Engine	34
Recommended Spare Parts - Electrical	36

This Page Intentionally Left Blank

Parts Manual Instructions

Product illustrations are only representations. Products supplied may vary from the illustrations in this parts manual. Parts not shown in the illustration are indicated by a double dash (--) in the item column.

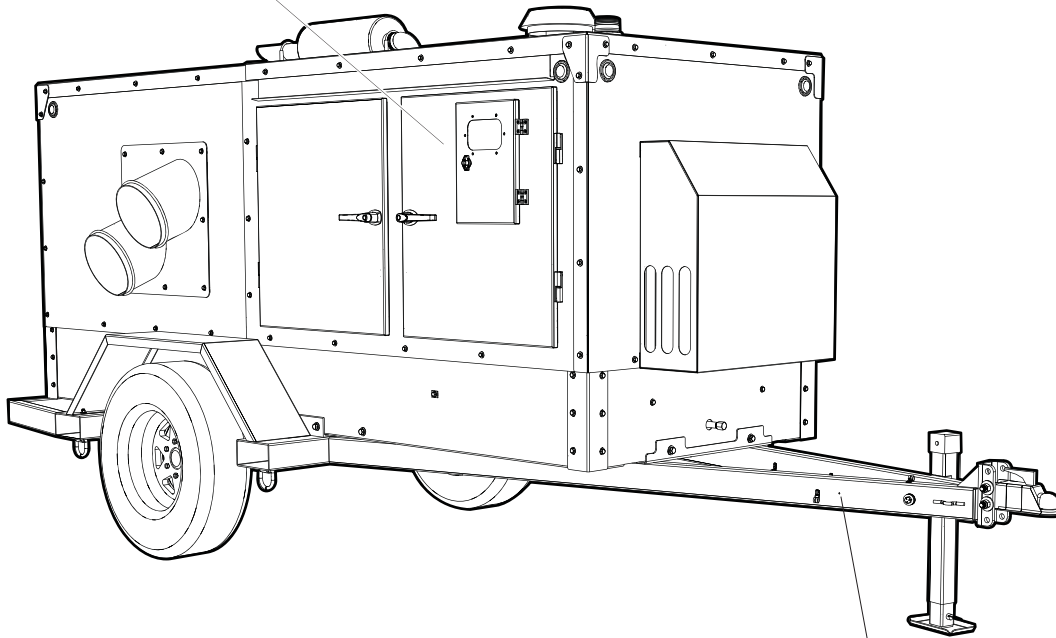
Please be prepared to provide the following information when ordering replacement parts: model number, serial number (on unit serial tag), part number, purchase order number (if applicable), shipping address, shipping method.

Refer to the illustration below to locate the unit ID tag and Vehicle Identification Number (VIN) tag on the unit. Important information, such as the unit serial number, model number, VIN and tire loading information are found on these tags. Record the information from these tags so it is available if the tags are lost or damaged. When ordering parts or requesting assistance, you may be asked to provide this information.

SERIAL TAG

(located on control box inside side door of unit)

Manufactured by Generac Mobile Products LLC					
(920) 361-4442			(800) 926-9768		
Country of Origin	Model	Serial Number			
Manufacturing Code	Weight (lbs/kg)	RPM/Frequency			
1 ph. 1.0PF			3 ph. .8PF	3 ph. 1.0PF	
KW					
KVA					
V					
A					
			Rating		
			Ins. Class		
			FOR ELECTRICAL EQUIPMENT ONLY WHEN MOUNTED ON A TRAILER AS SHOWN <small>FORM 5744</small>		
Form: SPCK2MB					

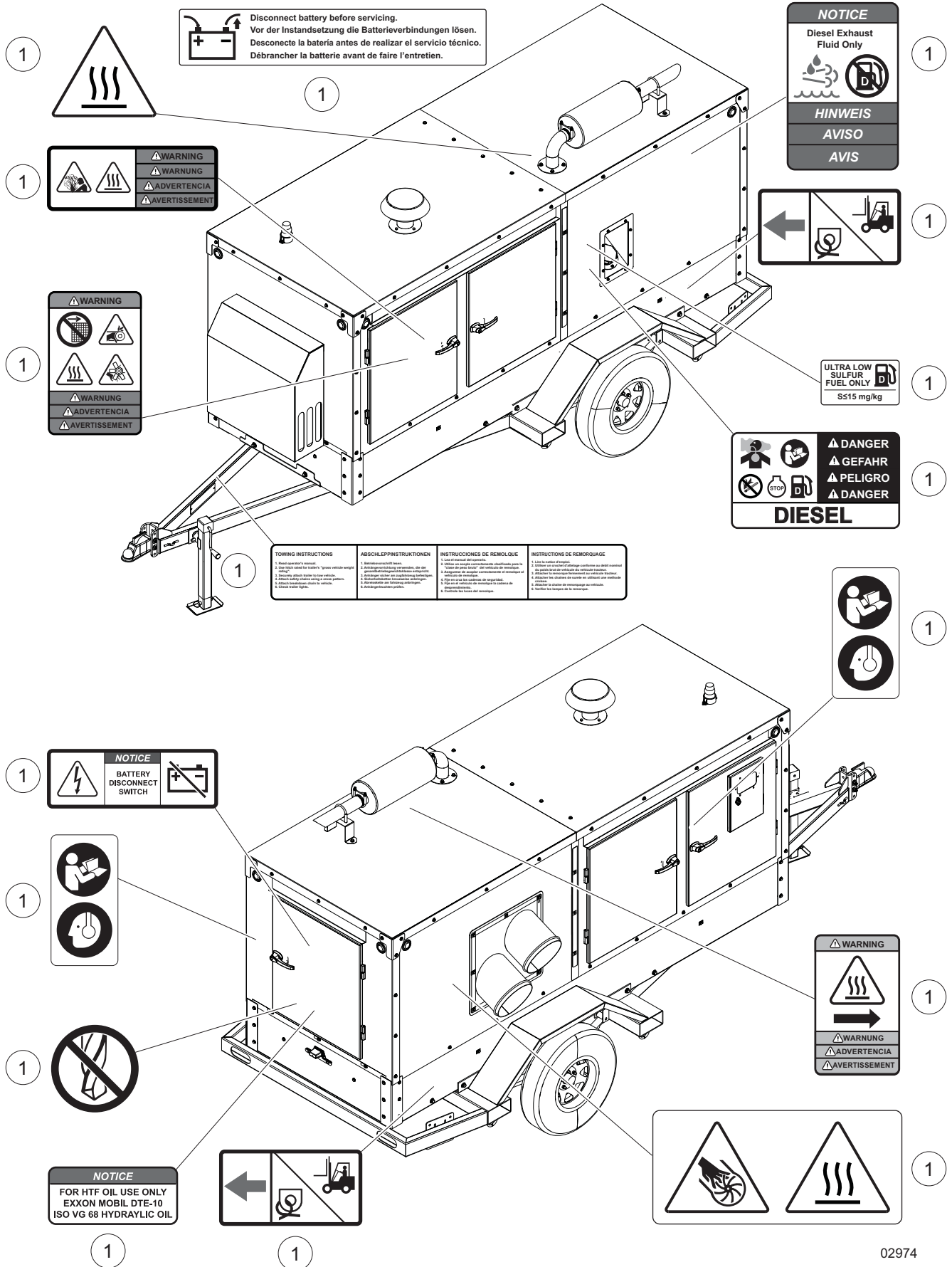


VIN Tag

MANUFACTURED BY/FABRICATE PAR: Generac Mobile Products, LLC				DATE: 00/0000	TIRE AND LOADING INFORMATION RECOMMENDATIONS SEE U.S. FEDERAL SAFETY STANDARDS (FMVSS)
COUNTRY OF ORIGIN: UNITED STATES OF AMERICA				The weight of cargo should never exceed 5000LBS (2268.0KG) Le poids du chargement ne doit jamais dépasser 5000LBS (2268.0KG)	
GENSET / PNEU	TIRE / PNEU	RIM / JANTE	LOAD INDEX		SEE CHAPTER TECHNICAL INFORMATION FOR WEIGHTS AND TIRE LOADS
VIN: 1L1L 0000000000000000				MODEL: XX0800 TYPE: TRAILER	

02973

DECAL LOCATION

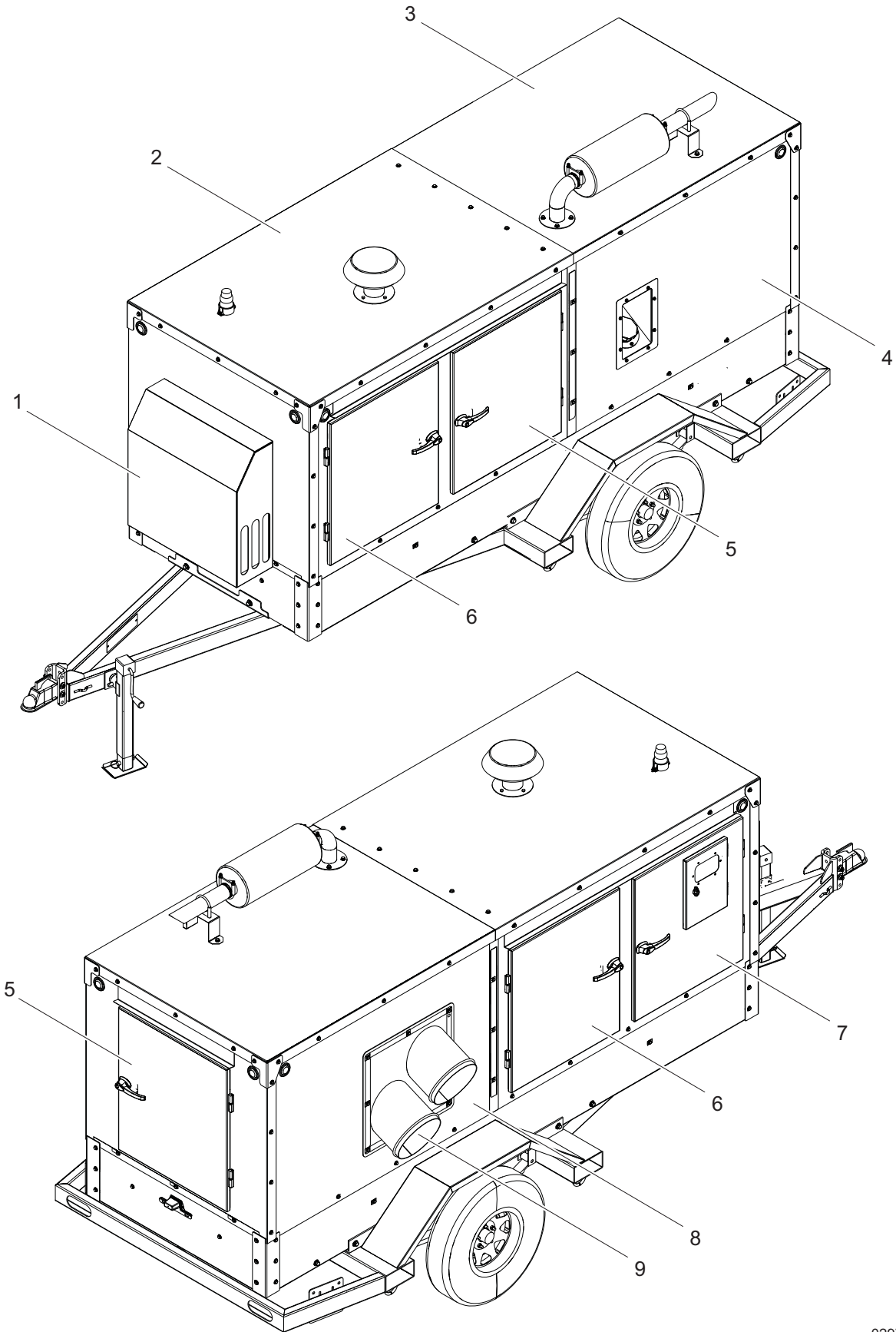


02974

DECAL LOCATION

Item	Part No.	Qty	Description	Notes
1	3022471	1	Decal, safety	

ENCLOSURE PANELS

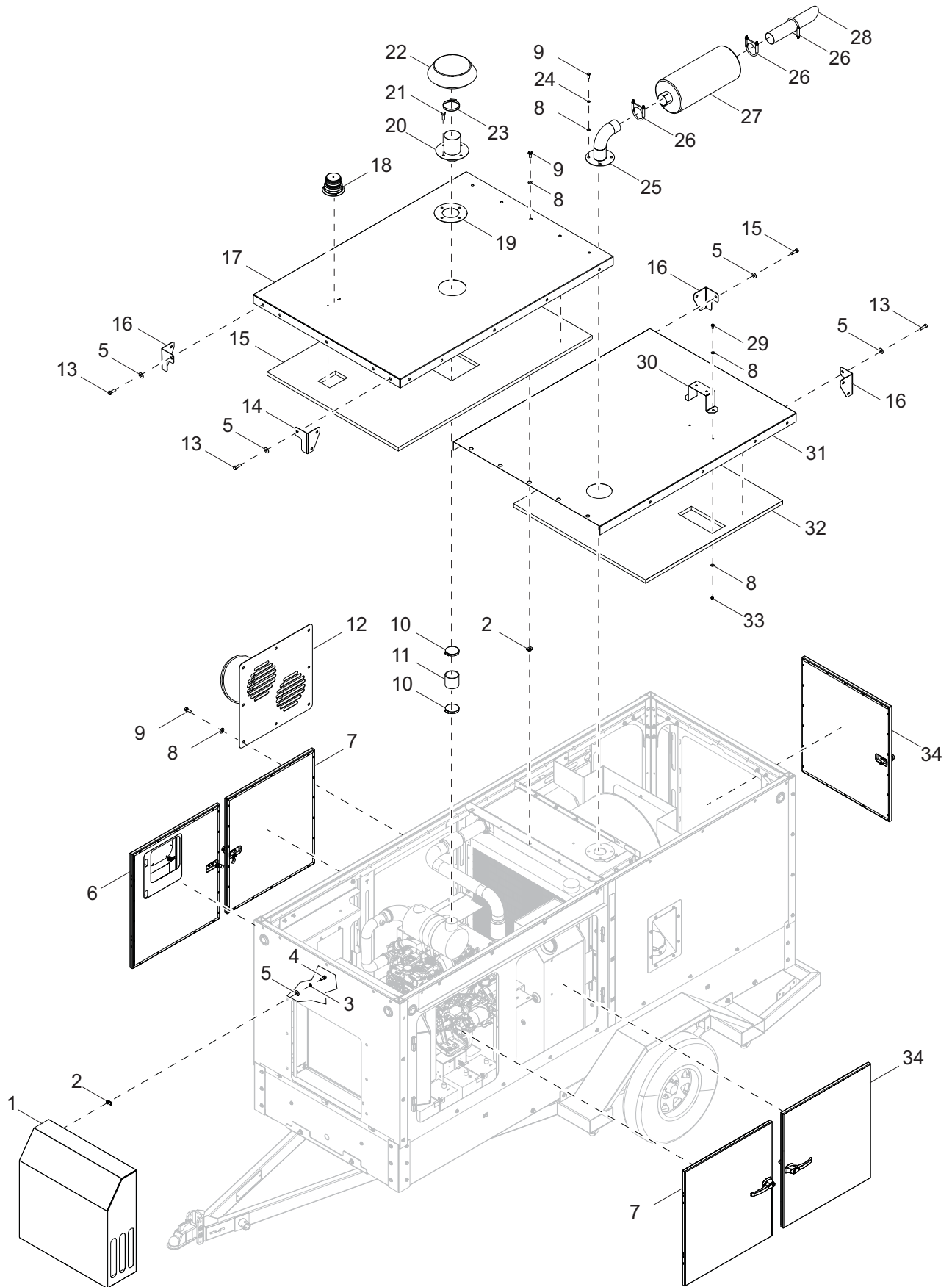


02975

ENCLOSURE PANELS

Item	Part No.	Qty	Description	Notes
1	A0000466931	1	Assembly, intake hood	
2	A0000199025	1	Assembly, roof - front	
3	A0000256466	1	Assembly, roof - rear	
4	A0000164790	1	Weldment, rear panel - LH	
5	A0000466940	2	Assembly, door - RH	
6	A0000466945	2	Assembly, door - LH	
7	A0000466946	1	Assembly, door - front control	
8	10000045659	1	Assembly, rear panel	
9	A0000165709	1	Weldment, discharge 12.0 dual	

ROOF AND DOORS TO UNIT

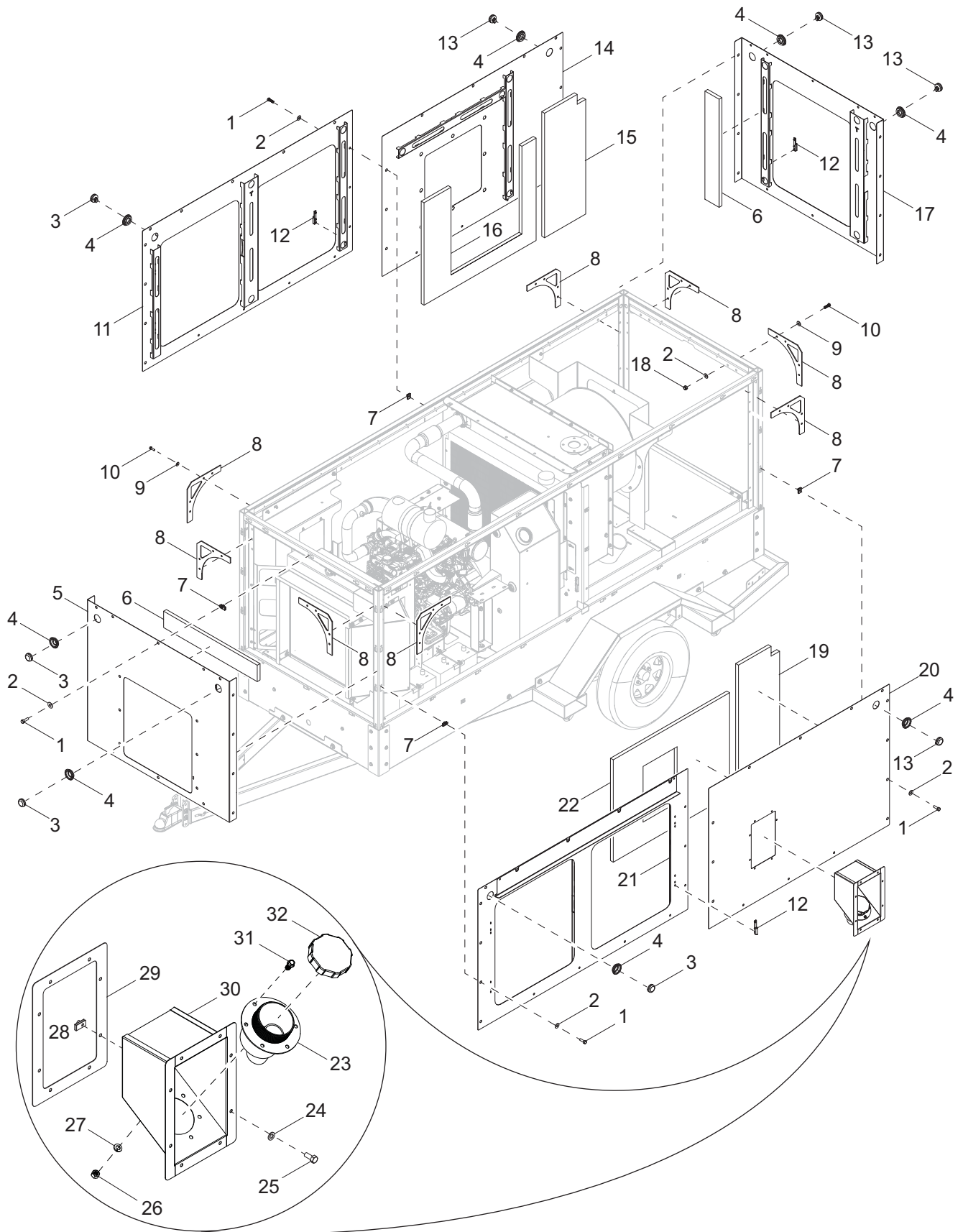


02976

ROOF AND DOORS TO UNITS

Item	Part No.	Qty	Description	Notes
1	A0000216613	1	Weldment, air intake hood	
2	62086	11	Nut, .312-18 U-clip - short type	
3	60701	6	Washer, .312 split lock - SS	
4	60687	6	Screw, .312-18 x .750 standard hex - SS	
5	60340	34	Washer, flat .875/.040 - SS	
6	A0000466946	1	Assembly, door - RH	
7	A0000466945	2	Assembly, door - LH	
8	60698	21	Washer, .375 flat .875/.040 - SS	
9	60690	17	Screw, .375-16 x 1.00 standard hex - SS	
10	20182	5	Clamp, hose SAE 052 (2.81-3.75)	
11	19612	1	Coupler, hose 3.00 x 3.00 - silicone	
12	A0000165709	1	Weldment, discharge	
13	60507	28	Screw, .312-18 x 1.00 standard hex - SS	
14	3021277	2	Cap, top corner LH	
15	A0000467028	1	Foam, roof front	
16	3021278	2	Cap, top corner RH	
17	A0000199025	1	Weldment, roof, front	
18	76176	1	Light, strobe 12V LED - amber	
19	3021275	1	Flange, air intake - roof	
20	A0000351635	1	Weldment, air intake	
21	60334	4	Screw, .375-16 x 1.00 standard hex, G5	
22	3023369	1	Cover, air intake	
23	20182	1	Clamp, hose SAE 088 (4.09-6.00)	
24	60703	4	Washer, .375 split lock - SS	
25	3021309	1	Weldment, muffler	
26	18821	3	Clamp, 3.00 exhaust	
27	MAC3934	1	Assembly, muffler	
28	MAC3747	1	Pipe, 3.00OD x 16.00 - angle cut one end	
29	60295	2	Screw, .375-16 x .750 standard hex - SS	
30	3022593	1	Bracket, roof muffler	
31	A0000256466	1	Plate, roof back	
32	A0000467051	1	Foam, roof - rear	
33	60358	2	Nut.375-16 nylock, G5	
34	A0000466940	2	Assembly, door - RH	

ENCLOSURE PANELS TO UNIT

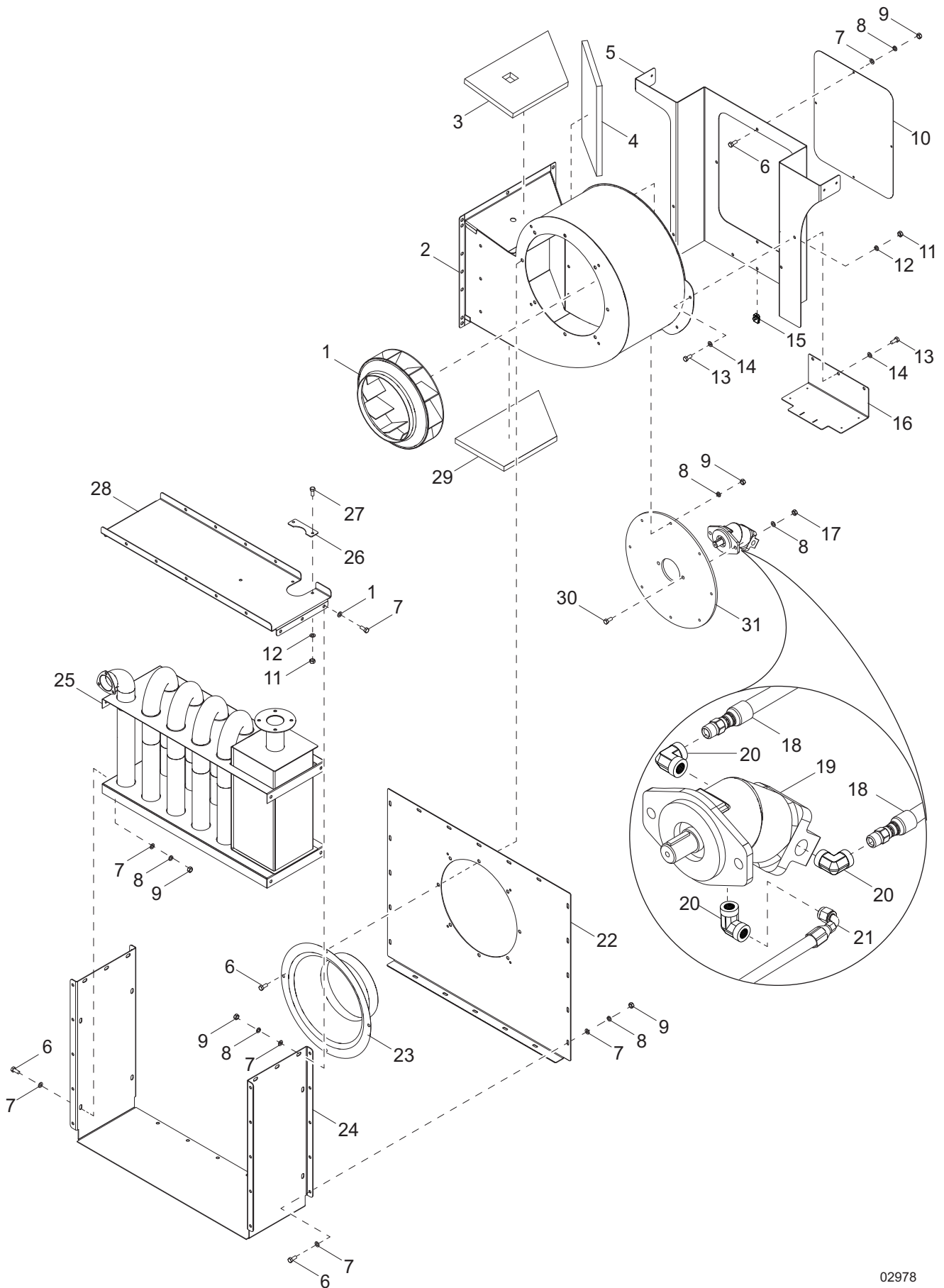


02977

ENCLOSURE PANELS TO UNIT

Item	Part No.	Qty	Description	Notes
1	60507	42	Screw, .312-18 x 1.00 standard hex - SS	
2	60340	42	Washer, .312 flat .875/.040 - SS	
3	MAC4084	4	Light, 2.00 clearance LED - amber	
4	MAC2448	8	Grommet, marker light - 2.00	
5	A0000165570	1	Weldment, front panel	
6	A0000467076	2	Foam, door corners	
7	62086	64	Nut, .312-18 U-clip - short	
8	3021734	4	Brace, corner	
9	60386	64	Washer, .375 flat .993/.064	
10	60352	32	Screw, .375-16 x 1.250 standard hex, G5	
11	10000045697	1	Weldment, front panel - RH	
12	10000037158	9	Hinge, lift-off	Includes hardware
13	MAC4085	4	Light, 2.00 clearance LED - red	
14	10000045659	1	Weldment, rear panel - RH	
15	A0000467097	1	Foam, rear panel - RH	
16	A0000467100	1	Foam, panel - heat exchanger	
17	10000045669	1	Weldment, rear panel	
18	60140	32	Nut, .375-16 hex, G5	
19	A0000467103	1	Foam, rear panel - LH	
20	A0000164790	1	Weldment, rear panel - left	
21	10000045697	1	Weldment, rear panel - LH	
22	A0000467105	1	Foam, panel - fuel bezel side	
23	3023331	1	Weldment, fuel fill	
24	60696	8	Washer, .250 flat .625/.050 - SS	
25	61195	8	Screw, .250-20 x .750 standard hex - SS	
26	60679	6	Nut, .375-16 hex - SS	
27	60703	6	Washer, .375 split lock - SS	
28	61143	8	Nut, .250-20 U-clip - short	
29	3021401	1	Flange, fuel bezel	
30	3022271	1	Weldment, fuel bezel	
31	63320	6	Screw, .375-16 x .750 serrated flange hex - SS	
32	MAC1975	1	Fuel cap, 4.00 vented	
--	1000045570	9	Spacer	w/1000037158

AIR TO AIR EXCHANGE ASSEMBLY

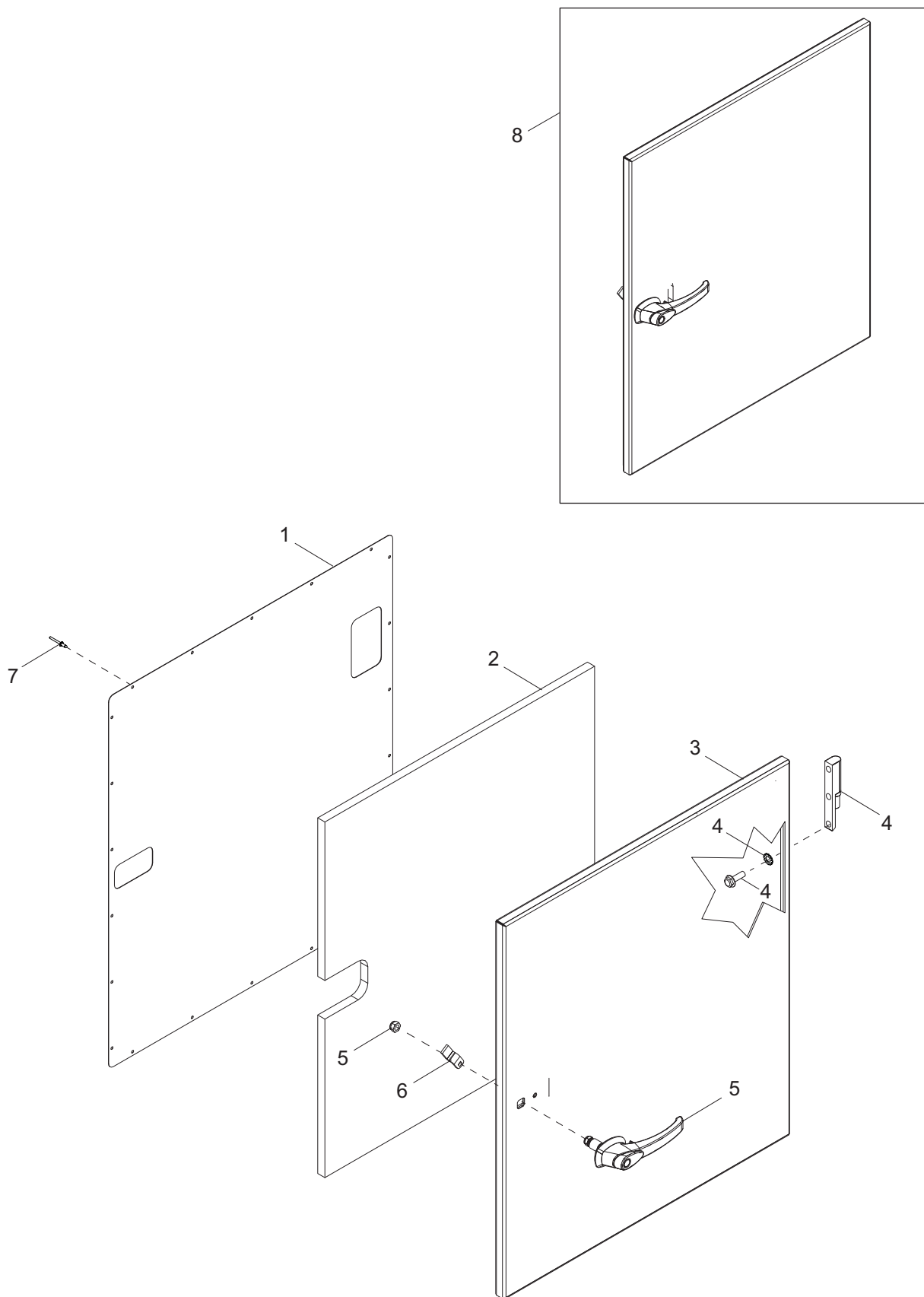


02978

AIR TO AIR EXCHANGE ASSEMBLY

Item	Part No.	Qty	Description	Notes
1	MAC3563	1	Fan, small platform	
2	3021333	1	Weldment, scroll	
3	A0000390281	1	Foam, top - heat exchanger	
4	A0000390275	1	Foam, side - heat exchanger	
5	A0000374783	1	Wall, hose storage	
6	61190	42	Screw, .500-13 x 1.00 standard hex - SS	
7	62261	42	Washer, .500 flat .875/.063 - SS	
8	60702	42	Washer, .500 split lock - SS	
9	60681	42	Nut, .500-13 hex - SS	
10	A0000374785	1	Wall panel, hose storage	
11	60679	6	Nut, .375-16 hex - SS	
12	60703	6	Washer, .375 split lock - SS	
13	60690	4	Screw, .375-16 x 1.00 standard hex - SS	
14	60698	6	Washer, .375 flat .875/.040 - SS	
15	62086	3	Nut, .312-18 U-clip - short	
16	3021424	1	Bracket, hose wall line	
17	60679	2	Nut, .375-16 hex - SS	
18	3021154	2	Hose, motor supply return	
19	MAC3558	1	Motor, fan MA12	
20	3021164	3	Fitting, 90° male, -8 x -8	
21	3021155	1	Hose, motor case drain	
22	3021331	1	Plate, scroll cone	
23	MAC3564	1	Cone, inlet - medium platform	
24	3021343	1	Bottom, air to air chamber	
25	3021335	1	Exchanger, air to air	
26	3010326	1	Cover, exhaust hole	
27	63320	2	Screw, .375-16 x .750 serrated flange - SS	
28	3021341	1	Top, air to air chamber	
29	A0000390260	1	Foam, bottom - heat exchanger	
30	63320	2	Screw, .375-16 x .750 serrated flange hex - SS	
31	3021332	1	Plate, motor	
--	MAC4165	1	Transmitter, temperature	

ASSEMBLY - REAR DOOR, RH REAR DOOR

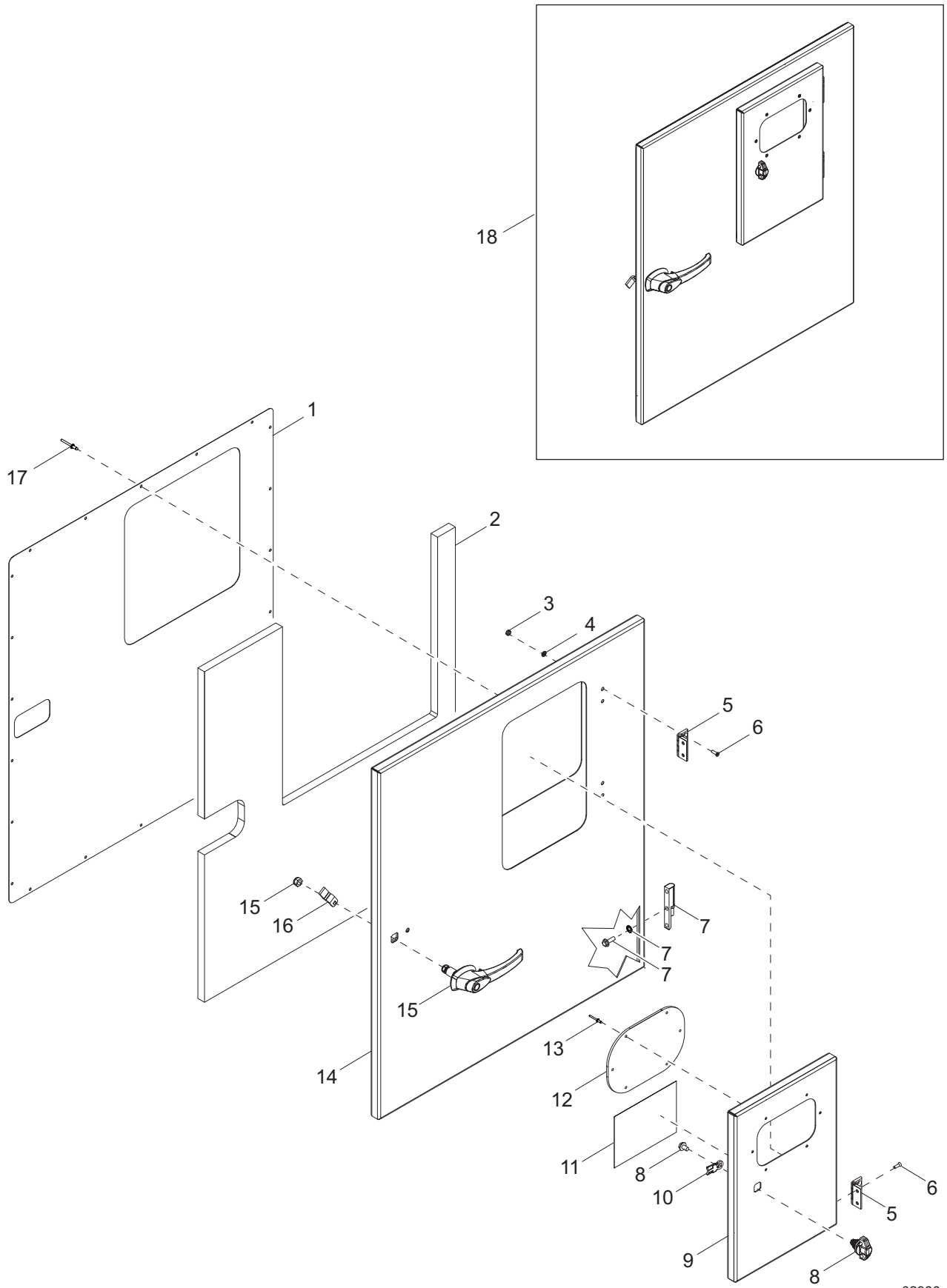


02979

ASSEMBLY - REAR DOOR, RH REAR DOOR

Item	Part No.	Qty	Description	Notes
1	10000028013	1	Liner, door - inner	
2	A0000467116	1	Foam, door	
3	10000045700	1	Weldment, door - RH	
4	10000037158	2	Hinge, lift off	Includes hardware
5	MAC3689	1	Handle, defeater	Includes hardware
6	MAC3853	1	Cam, single point	
7	60420	22	Rivet, .188 diameter x .020 to .125 grip	
8	A0000466940	1	Assembly, door - right	

ASSEMBLY - CONTROL DOOR

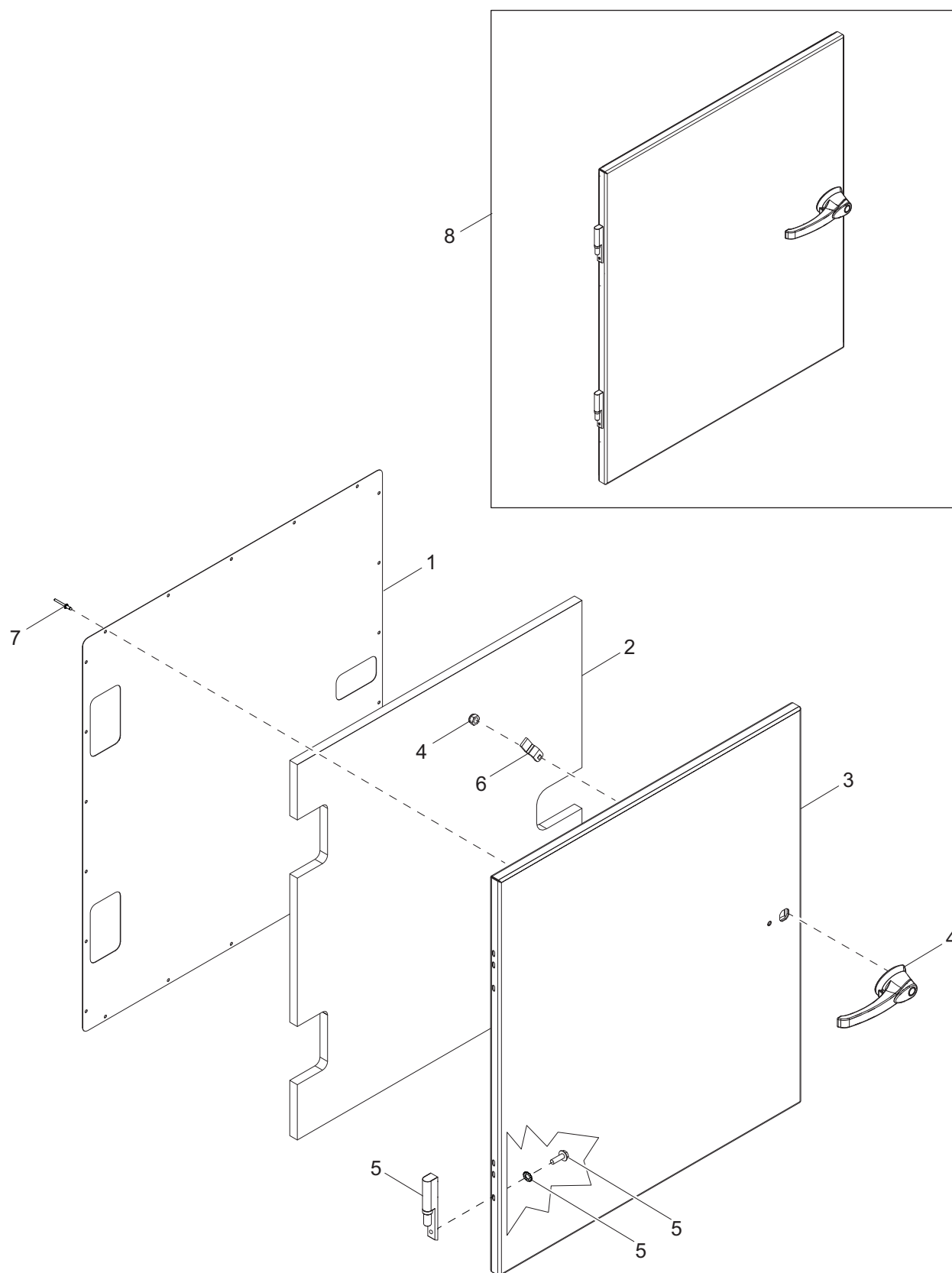


02980

ASSEMBLY - CONTROL DOOR

Item	Part No.	Qty	Description	Notes
1	10000028329	1	Liner, control door - inner	
2	A0000467118	1	Foam, control door	
3	60415	8	Nut, 10-32 nylock - SS	
4	60067	8	Washer, #10 flat .435/.060 - SS	
5	MAC3805	2	Hinge, external mount	
6	10000019958	8	Screw, 10-32 x .625 flat head Phillips - SS	
7	10000037158	3	Hinge, lift off - black	Includes hardware
8	MAC3687	1	Wing knob, 1/4 turn	Includes hardware
9	A0000165595	1	Weldment, control door	
10	12550	1	Lever, cam lock	
11	MAC3829	1	Decal, operating instructions	
12	MAC3916	1	Cover, control box - Lexan	
13	60130	6	Rivet, .156 diameter x .126 to .250 grip	
14	A0000221721	1	Weldment, control door	
15	MAC3689	1	Handle, defeater	Includes hardware
16	MAC3853	1	Cam, single point	
17	60420	22	Rivet, .188 diameter x .020 to .125 grip	
18	A0000466946	1	Assembly, door front control - right	

ASSEMBLY - LH FRONT, RH REAR DOOR

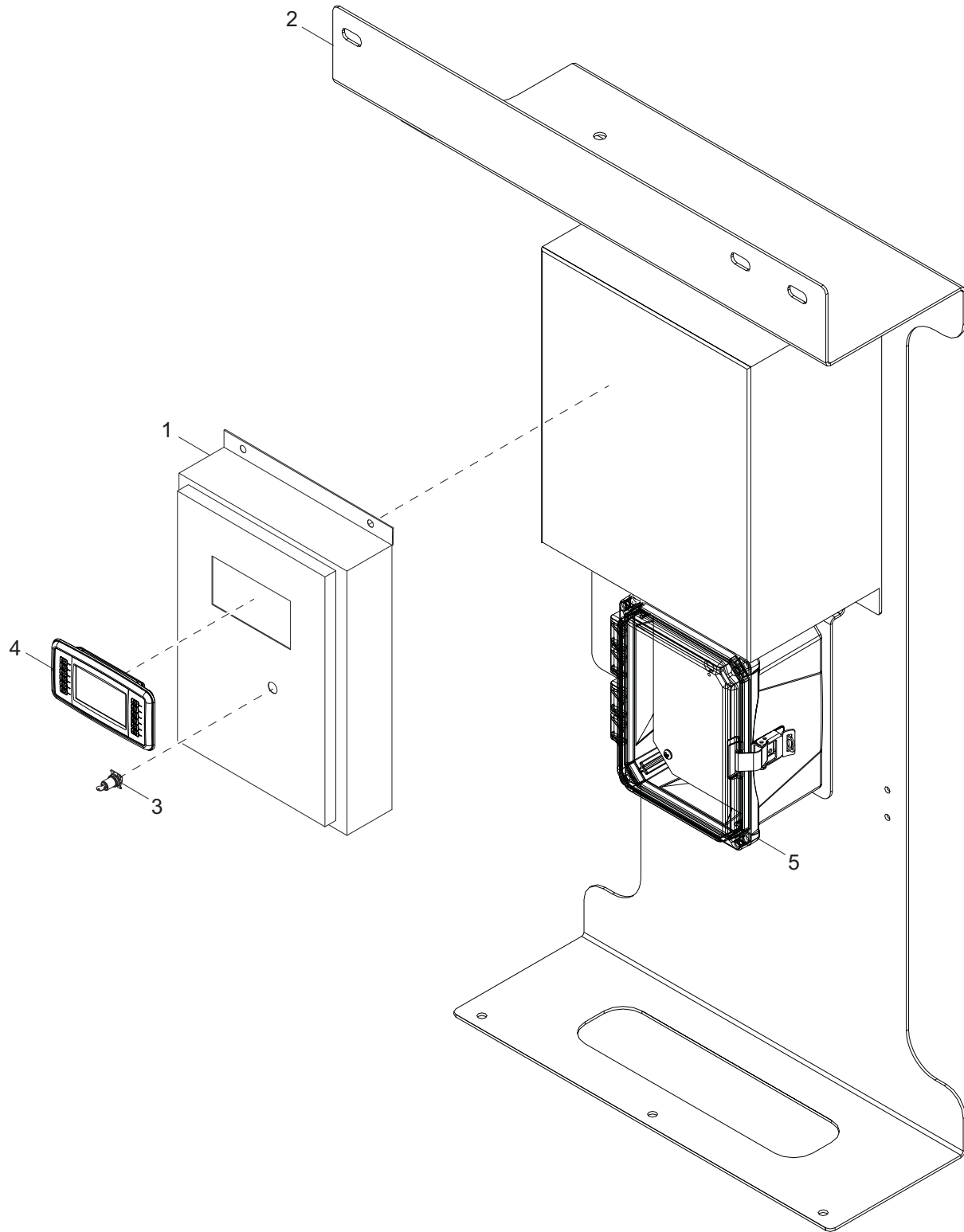


00000

ASSEMBLY - LH FRONT, RH REAR DOOR

Item	Part No.	Qty	Description	Notes
1	10000028013	1	Liner, door - inner	
2	A0000467116	1	Foam, door	
3	10000045658	1	Weldment, door - LH	
4	MAC3689	1	Handle, defeater	
5	10000037158	3	Hinge, lift off	includes hardware
6	MAC3853	1	Cam, single point	
7	60420	22	Rivet, .188 diameter x .020 to .125 grip	
8	A0000466945	1	Assembly, LH door	

ASSEMBLY - CONTROL PANEL

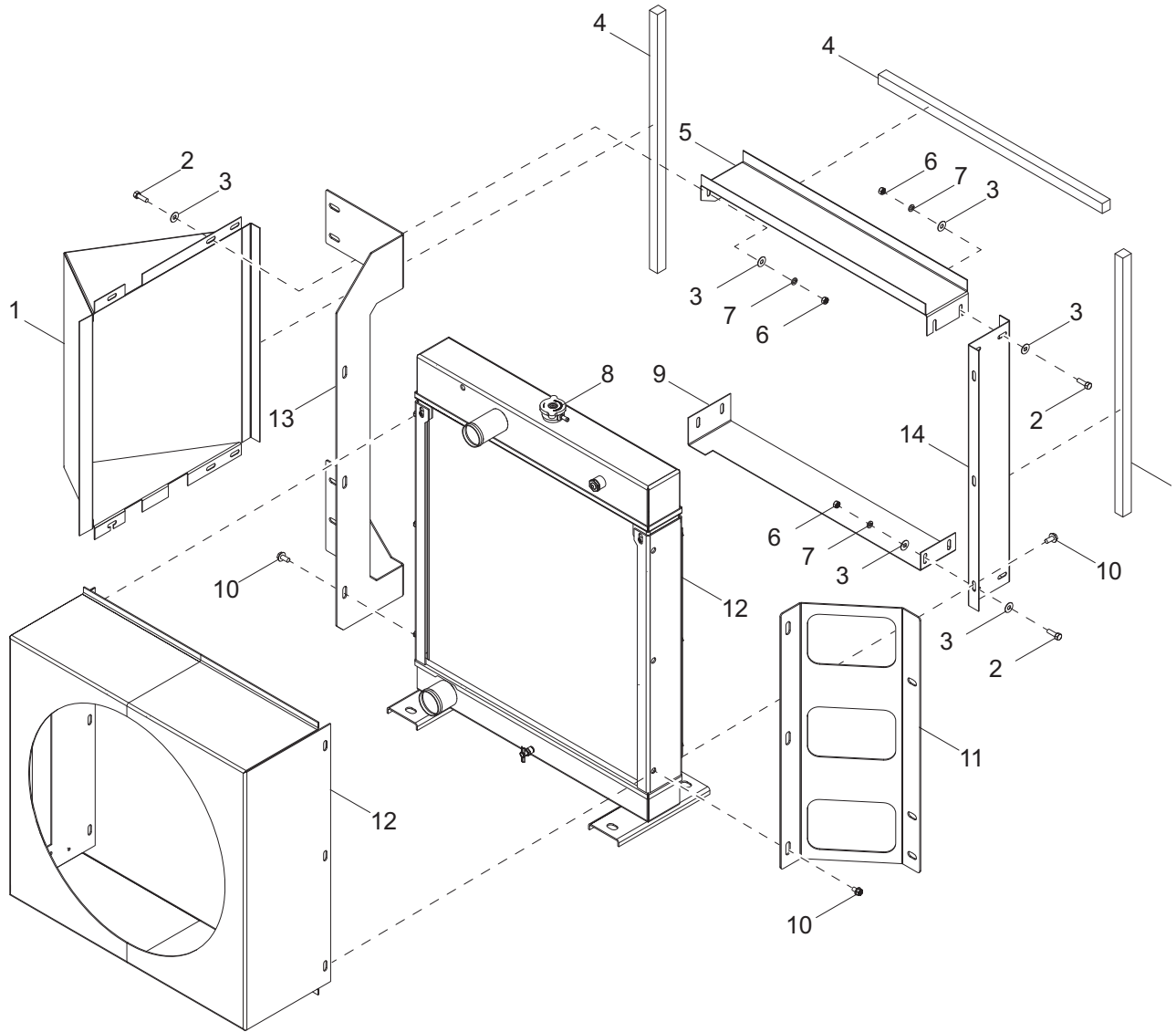


02981

ASSEMBLY - CONTROL PANEL

Item	Part No.	Qty	Description	Notes
1	10000039036	1	Assembly, control panel	
2	A0000165704	1	Mount, control box - common.	
3	3020703	1	Key switch, w/keys	
4	3020754	1	Display	
5	52638	1	Assembly, PAS control box	
--	MAC4166	1	Controller, programmed	

ASSEMBLY - RADIATOR

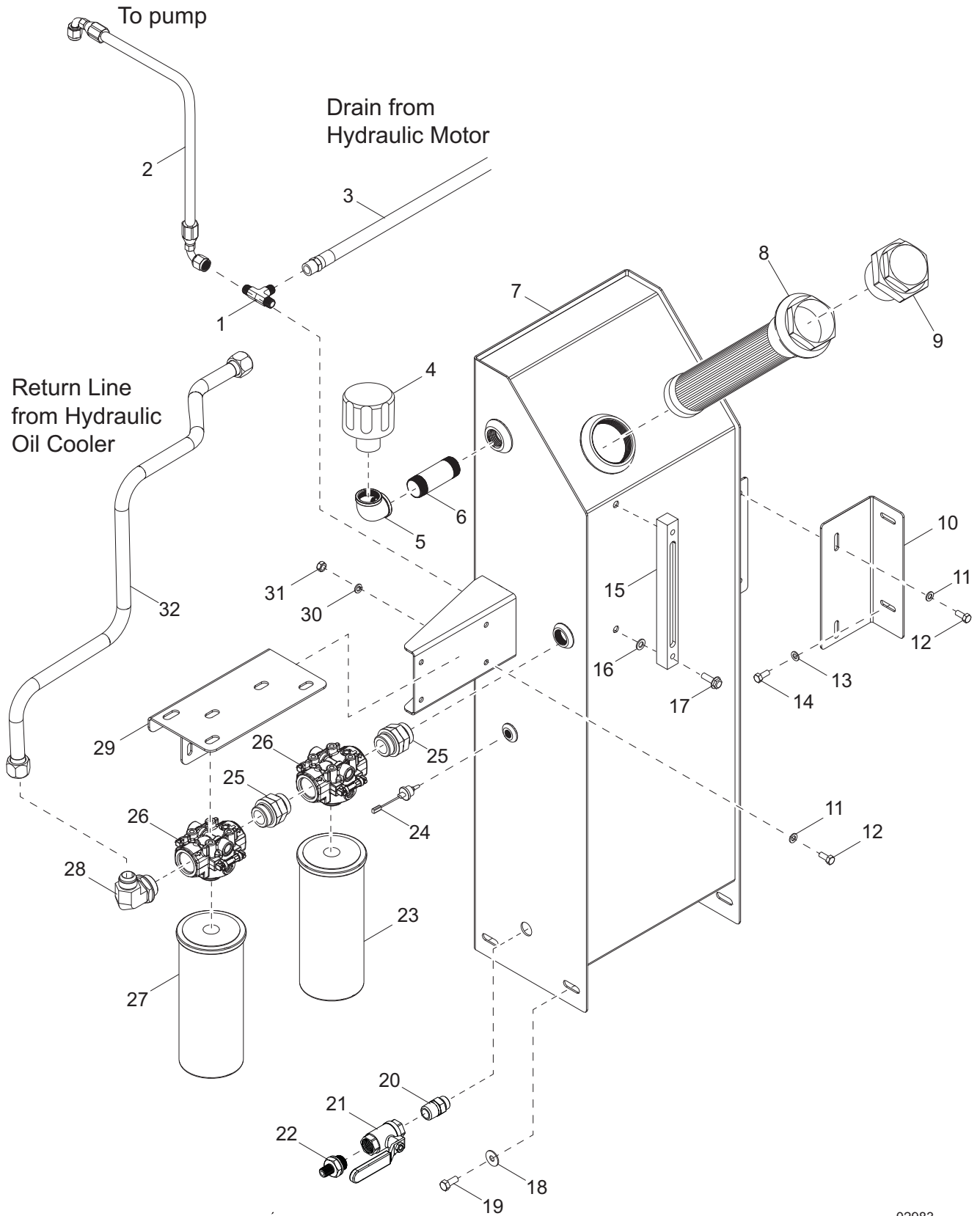


02982

ASSEMBLY - RADIATOR

Item	Part No.	Qty	Description	Notes
1	3021682	1	Shroud, oil deflector	
2	60507	8	Screw, .312-18 x 1.00 standard hex	
3	60340	15	Washer, .312 flat .875/.040 - SS	
4	A0000504510	3	Foam, radiator BTW	
5	3021681	1	Shroud, top	
6	60515	8	Nut, .312-18 hex - SS	
7	60701	11	Washer, .312 split lock - SS	
8	39850	1	Cap, radiator-16 PSI	
9	3021680	1	Shroud, bottom	
10	62052	12	Screw, .312-18 x .500 serrated flange hex, G5	
11	10000035460	1	Bracket, radiator mount - LH	
12	10000018285	1	Radiator, RS-8124	shroud included
13	10000038485	1	Bracket, radiator mount - RH	
14	3021678	1	Shroud, side angle	

HYDRAULIC TANK ASSEMBLY

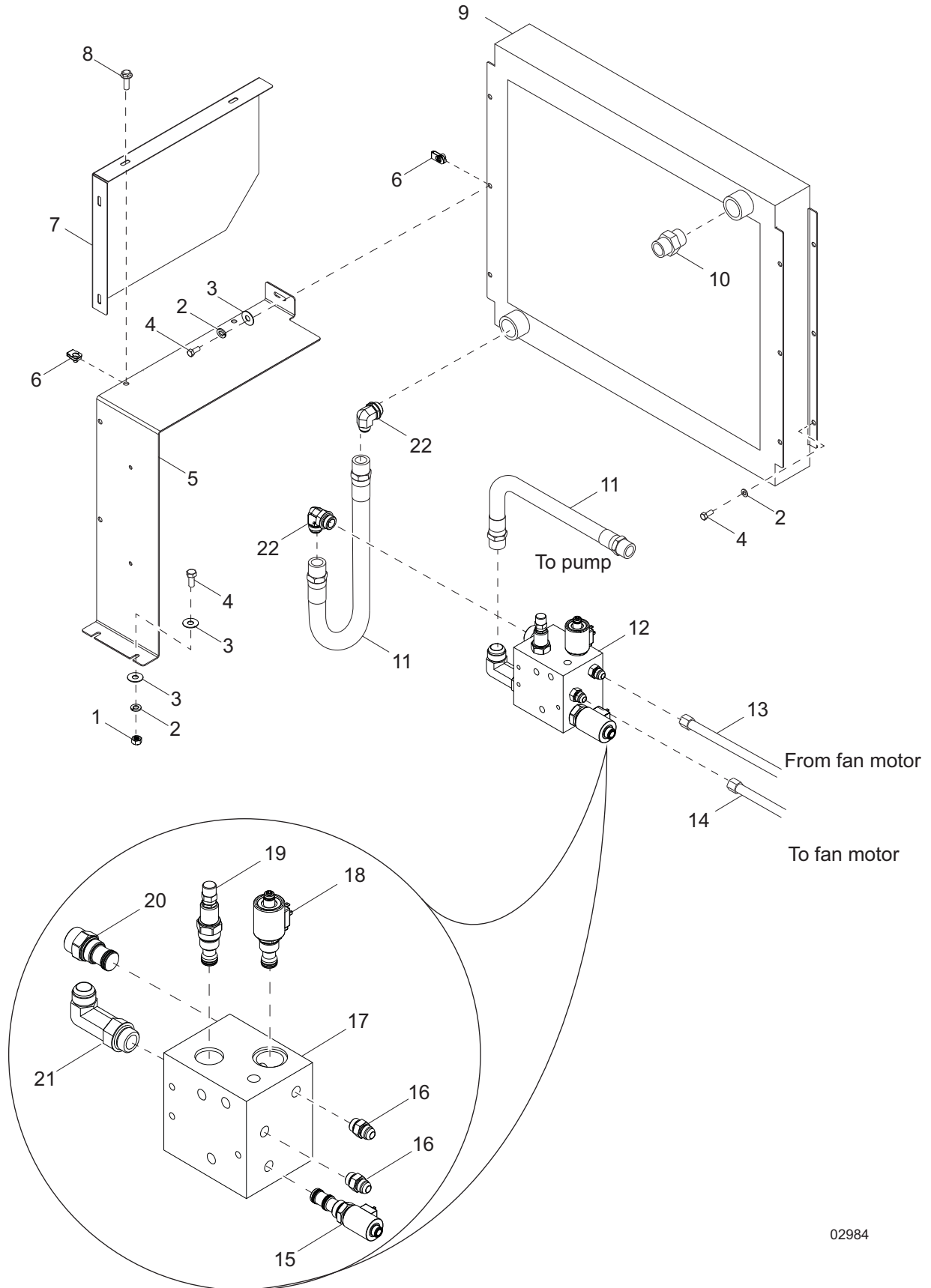


02983

HYDRAULIC TANK ASSEMBLY

Item	Part No.	Qty	Description	Notes
1	3021161	1	Fitting, tee -8 run male	
2	3021153	1	Hose, pump case drain	
3	3021143	1	Tube, motor case drain	
4	MAC3597	1	Breather, tank	
5	MAC4098	1	Fitting, 90° elbow 1.00" - black pipe	
6	51784	1	Fitting, nipple 1.00NPT x 3.50	
7	A0000214944	1	Weldment, hydraulic tank	
8	MAC3621	1	Strainer	
9	MAC3700	1	Plug, hydraulic tank	
10	A0000300698	1	Wall mount, hydraulic tank	
11	60340	2	Washer, .312 flat .875/.040 - SS	
12	60687	2	Screw, .312-18 x .750 standard hex - SS	
13	60696	2	Washer, .250 flat .625/.050 - SS	
14	60684	2	Screw, .250-20 x .875 standard hex - SS	
15	MAC3561	1	Indicator / switch. tank level	
16	60386	2	Washer, .375 flat .993/.064	
17	60205	2	Screw, .375-16 x 1.00 standard hex, G5	
18	60702	4	Washer, .500 split lock - SS	
19	61190	4	Screw, .500-13 x 1.00 standard hex - SS	
20	A0000072045	1	Fitting, straight .500MNPT x .500ORB	
21	MAC3737	1	Valve, ball 8 orb	
22	42197	1	Fitting, #8 ORBM to .500hose barb	
23	MAC3521	1	Filter, 7 micron	
24	MAC4165	1	Transmitter, temperature	
25	MAC3574	2	Fitting, nipple	
26	MAC3551	2	Assembly, filter head	
27	MAC3522	1	Filter, 9 micron	
28	MAC3605	1	Fitting, 90° elbow - JIC	
29	A0000416905	1	Bracket, filter	
30	60515	4	Nut, .312-18 hex - SS	
31	60701	4	Washer, .312 split lock - SS	
32	3021144	1	Tube, return 1.00 x .095 heat exchange	
--	MAC3854	1	Strainer	on tank back

HYDRAULIC HEAT EXCHANGER ASSEMBLY

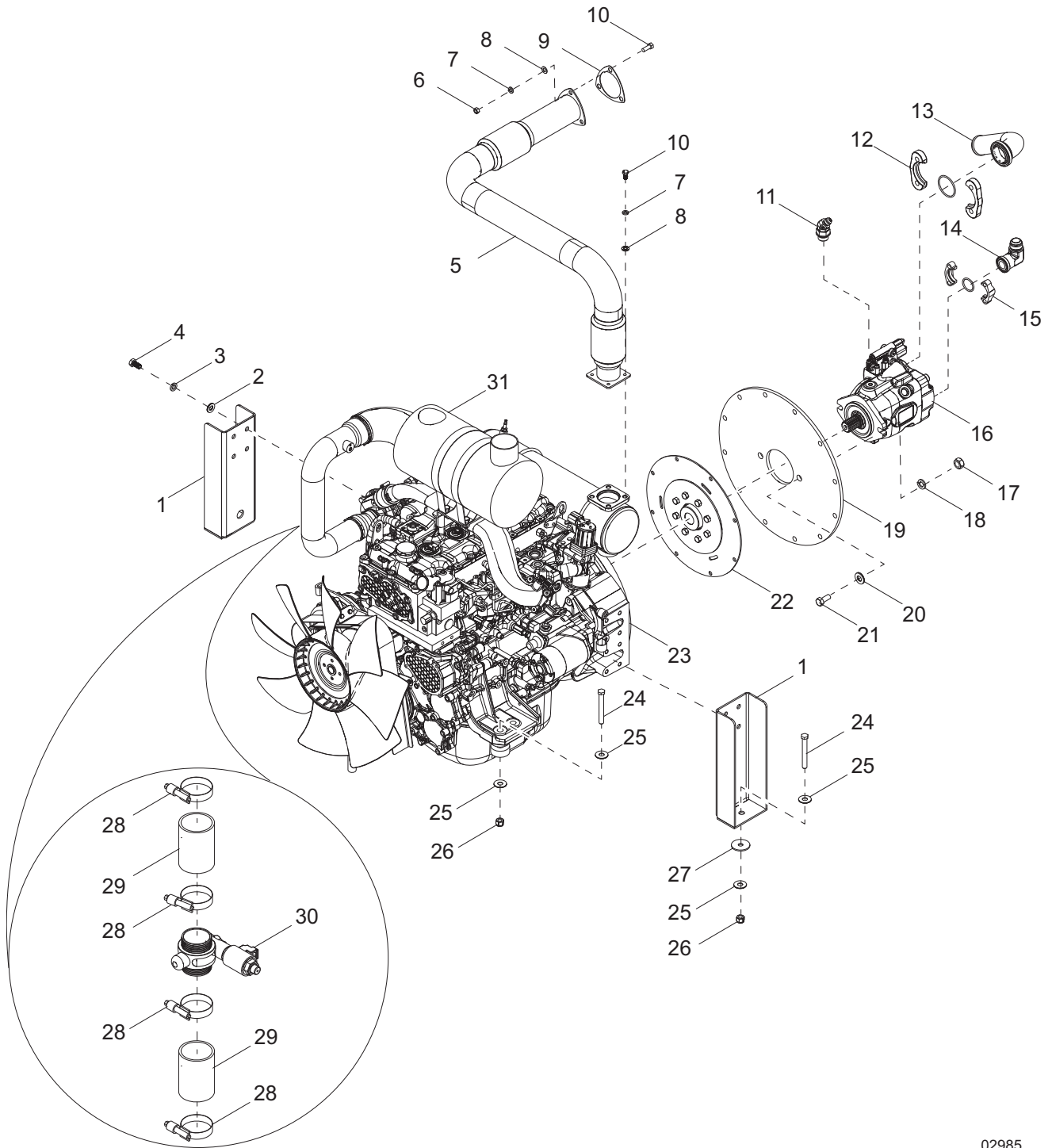


02984

HYDRAULIC HEAT EXCHANGER ASSEMBLY

Item	Part No.	Qty	Description	Notes
1	60515	2	Nut, .312-18 hex - SS	
2	60701	11	Washer, .312 split lock - SS	
3	60340	22	Washer, .312 flat .875/.040 - SS	
4	60690	2	Screw, .375-16 x 1.00 standard hex - SS	
5	A0000300726	1	Bracket, hose shield	
6	62086	1	Nut, .312-18 U-clip - short type	
7	A0000300727	1	Cover, hose shield	
8	60507	1	Screw, .312-18 x 1.00 standard hex - SS	
9	MAC3576	1	Hydraulic heat exchanger	
10	3021158	1	Fitting, straight -16 x 16 FF	
11	3021156	2	Hose, pump outlet/inlet	
12	3021167	1	Assembly, hydraulic manifold	
13	3021141	1	Tube, motor return	
14	3021142	1	Tube, motor supply	
15	MAC3553	1	Cartridge, flow control	
16	A0000527732	2	Fitting, straight - 8FF	
17	A0000115601	1	Block, hydraulic manifold	
18	MAC3556	1	Cartridge, relief non-adjustable	
19	MAC3758	1	Cartridge, main relief	
20	MAC3573	1	Valve, check 100psi	
21	3020971	1	Fitting, 90° 16FF	
22	3021159	2	Fitting, 90° -16 x -20 FF	

ENGINE ASSEMBLY

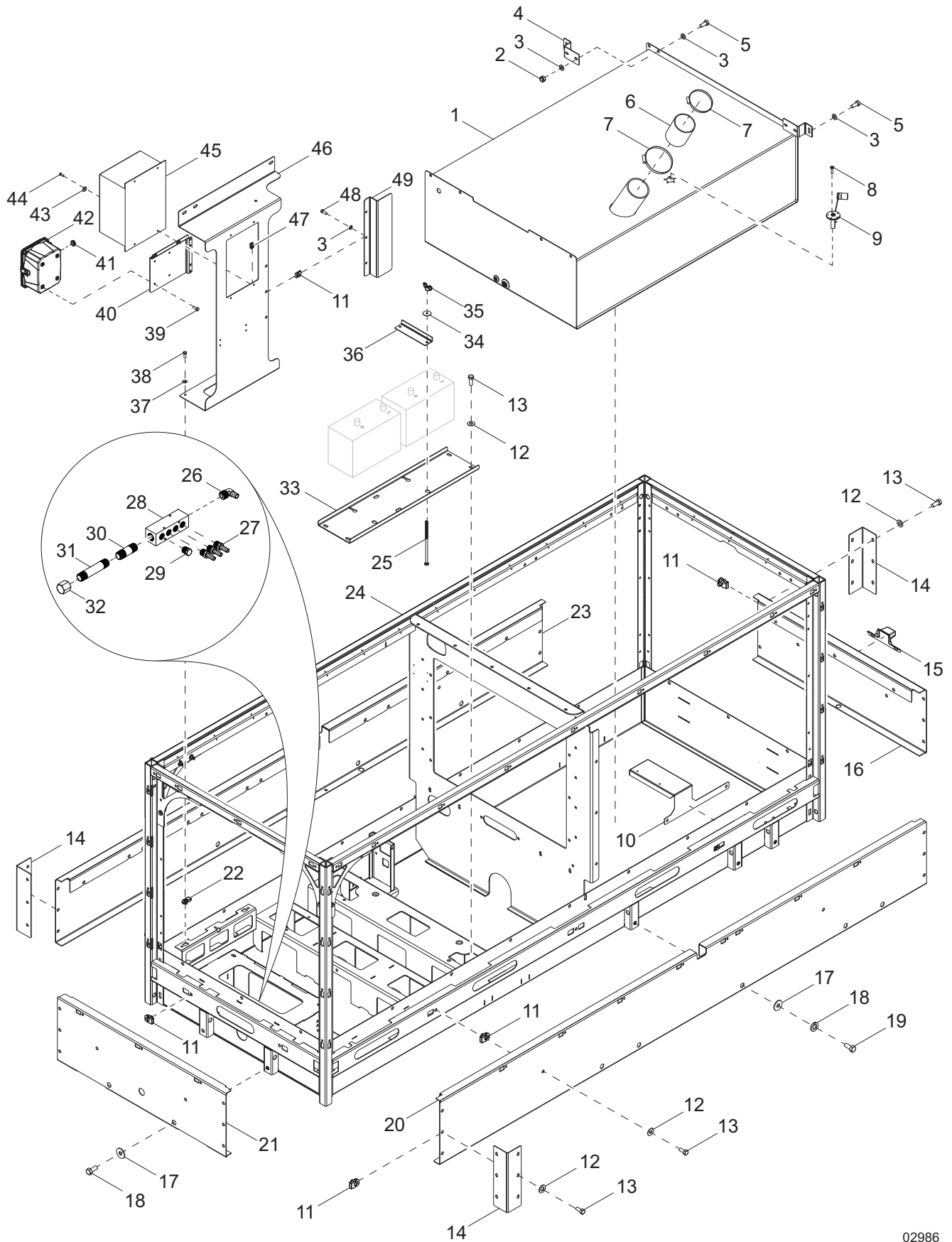


02985

ENGINE ASSEMBLY

Item	Part No.	Qty	Description	Notes
1	A0000348682	2	Engine channel, rear	
2	60670	12	Washer, .500 flat 1.060/.110, G8	
3	60204	12	Washer, .500 split lock	
4	62277	12	Screw, M12-1.75 x 25 standard hex, G10.9	
5	A0000499164	4	Assembly, exhaust	
6	60140	3	Nut, .375-16 hex, G5	
7	60206	7	Washer, .375 split lock	
8	35275	7	Washer, .375 flat .416/.820	
9	MAC3831	1	Gasket, exhaust 3.00	
10	60205	7	Screw, .375-16 x 1.00 standard hex, G5	
11	3021157	1	Fitting, 45° FF	
12	MAC3938	1	Kit, 2.00 split flange	
13	MAC3855	1	Hose, 90° split flange 2.00	
14	A0000344868	1	Fitting, 16-20 flange - Code 62	
15	3021166	1	Fitting, 390-16-16 split flange FF	
16	3020815	1	Pump, 63cc	
17	60240	2	Nut, .625-11 nylock, G5	
18	61023	2	Washer, .625 split lock	
19	A0000527692	1	Plate, pump mount	includes hardware
20	60180	2	Washer, .625 flat 1.750/.10-.16 - SS	
21	60467	2	Screw, .625-11 x 2.00 standard hex, G8	
22	A0000181059	1	Coupler, flywheel	
23	3020931	4	Assembly, engine 4JJ1TABW-01 - T4	
24	60983	6	Screw, .500-13 x 3.00 standard hex, G5	
25	60416	12	Washer, .500 flat, 1.375/.090 - SS	
26	62221	4	Nut, .500-13 nylock, G5	
27	18085	6	Washer, .510 snub 2.00/.130	
28	60666	4	Clamp, hose - constant torque - 1.75-2.625	
29	28540	2	Hose, CAC 2.00" x 4.00" long	
30	A0000019099	1	Valve, PAS 2.00" diameter ESD-24V	
30	3020571	1	Housing air cleaner	
30	3023369	1	Hood, air cleaner	
30	3020798	1	Cover, air filter	included w/ 3020571

CONTAINMENT / ENCLOSURE FRAME ASSEMBLY

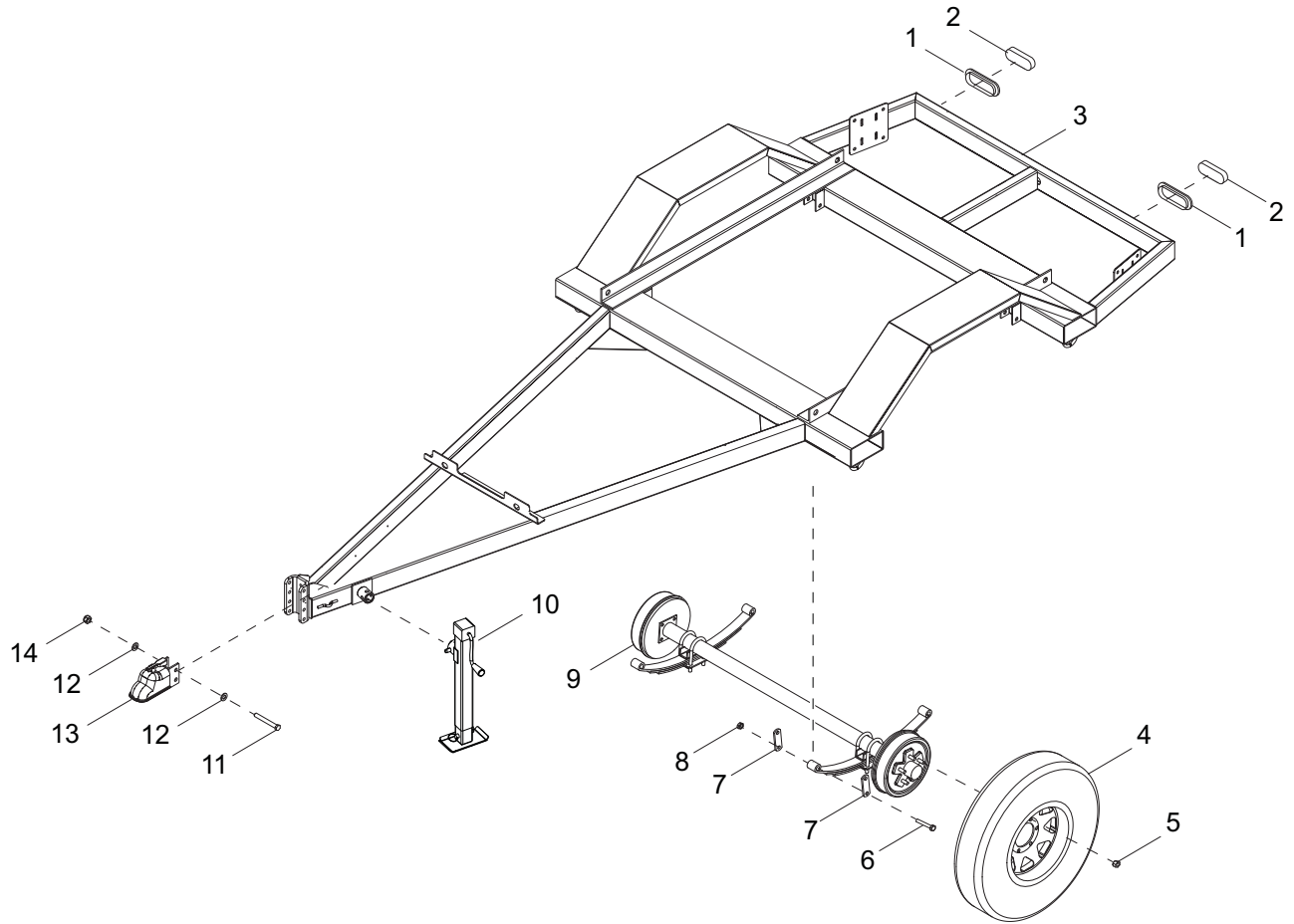


02986

CONTAINMENT / ENCLOSURE FRAME ASSEMBLY

Item	Part No.	Qty	Description	Notes
1	10000038437	1	Weldment, fuel tank	
2	60358	6	Nut, .375-16 nylock, G5	
3	35275	15	Washer, .375 flat .416/.060	
4	3021219	2	Fuel tank hold down	
5	61190	6	Screw, .500-13 x 1.00 standard hex - SS	
6	MAC3645	1	Hose, 4.50 ID - rubber	
7	20182	2	Clamp, hose SAE 088 (4.09-6.00)	
8	60062	5	Screw, 10-32 x .750 pan Phillips, G2	
9	MAC3978	1	Fuel sending unit, 14.50 inch	
10	A0000374787	1	Cover, fuel sending unit	
11	60727	40	Nut, .375-16 U-clip - short type	
12	60698	46	Washer, .375 flat .875/.040 - SS	
13	60690	40	Screw, .375-16 x 1.00 standard hex - SS	
14	A0000210067	4	Cap, corner - bottom	
15	A0000212765	1	Assembly, LED light 12/24VDC	
16	A0000210066	1	Weldment, rear panel - bottom	
17	60700	14	Washer, .500 flat 1.250/.060 - SS	
18	60702	14	Washer, .500 split lock - SS	
19	60683	14	Screw, .500-13 x 1.500 standard hex - SS	
20	A0000210064	1	Assembly, panel bottom - LH	
21	A0000210065	1	Weldment, panel bottom - front	
22	62086	3	Nut, .312-18 U-clip - short type	
23	A0000210063	1	Assembly, panel bottom - RH	
24	A0000499165	1	Assembly, containment	
25	3023511	4	Bolt, carriage .375-16 x 10.00	
26	MAC3811	1	Fitting, 90° .500NPTM x .500 barb	
27	MAC3809	3	Fitting, .375NPTM x .375 barb	
28	MAC3800	1	Manifold, drain	
29	MAC3822	1	Plug, .375 NPT	
30	40737	1	Fitting, nipple .500NPT x 3.00	
31	40738	1	Fitting, nipple .500NPT x 4.00	
32	19301	1	Fitting, .500FNPT cap - hex	
33	3023222	1	Pan, battery - dual	
34	60089	4	Washer, .265 fender 1.250/.060	
35	12927	4	Nut, .375-16 wing - SS	
36	A0000348521	2	Bracket, battery hold-down	
37	60206	3	Washer, .375 split lock	
38	60205	6	Screw, .375-16 x 1.00 standard hex, G5	
39	60277	4	Screw, 10-32 x .500 pan Phillips, G2	
40	52634W	1	Bracket, mounting PAS control box	
41	29653	2	Grommet, .563ID x .125 - rubber	
42	52636	1	Box, control	
43	60243	4	Washer, .250 flat .735/.060 - SS	
44	60281	4	Screw, .250-20 x .750 standard hex, G5	
45	10000039036	1	Box, control	
46	A0000165704	1	Mount, control box - common	
47	61143	4	Nut, .250-20 U-clip - short type	
48	60205	3	Screw, .375-16 x 1.00 standard hex, G5	
49	A0000165708	1	Alternator guard	

TRAILER ASSEMBLY

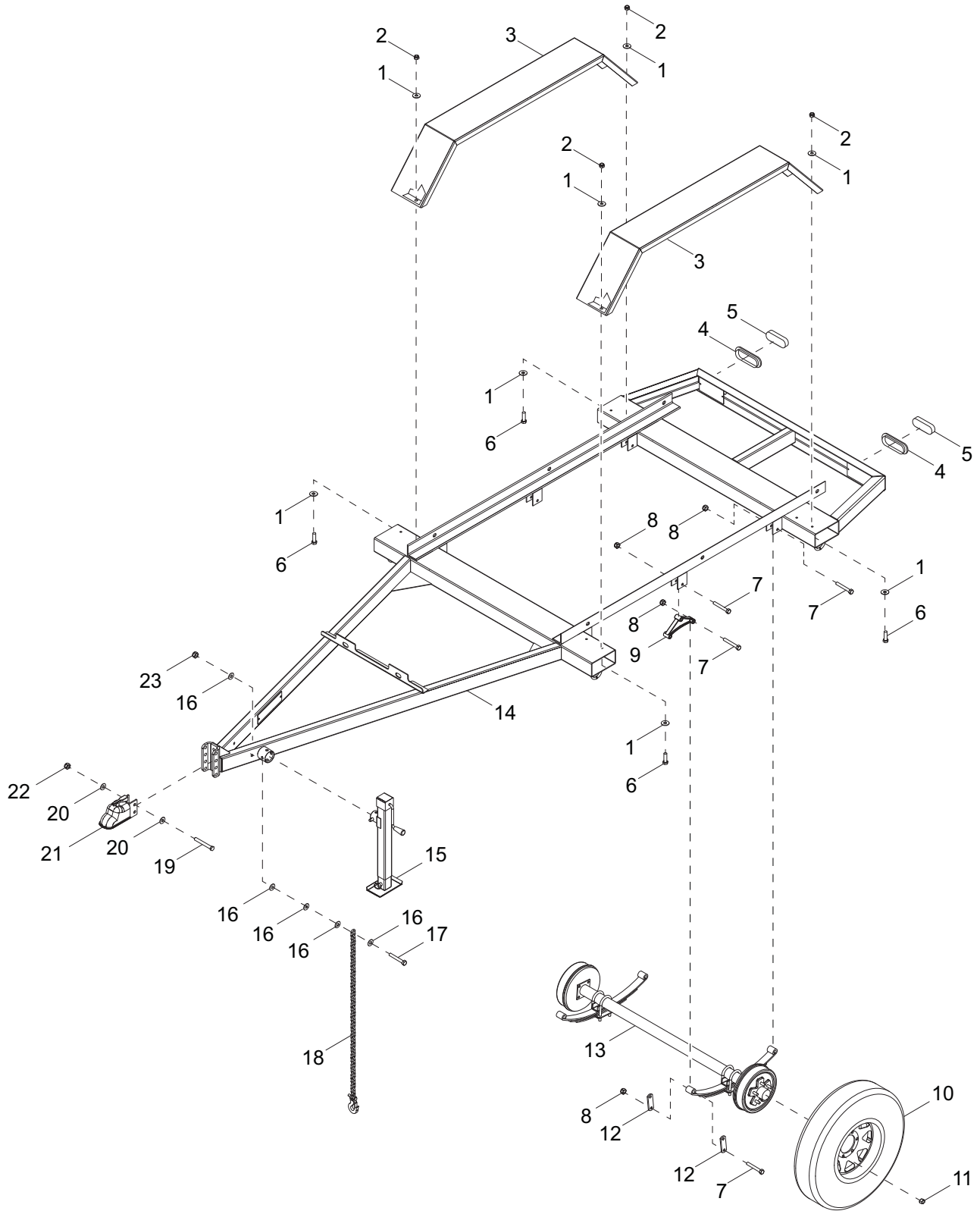


02987

TRAILER ASSEMBLY

Item	Part No.	Qty	Description	Notes
1	MAC3637	2	Grommet, 6.00 oval	
2	MAC4083	2	Light, 6.00 oval LED stop/turn/tail	
3	10000045970	1	Weldment, trailer	
4	20374B	2	Wheel, ST235/80R16 - black	
5	60096	10	Nut, .500-20 lug, G5	
6	60503	6	Screw, shackle - .562-18 x 3.0 standard hex, G5	
7	19637	2	Plate, shackle bracket	
8	60504	6	Nut, .562-18 lock, G5	
9	MAC0594	1	Assembly, axle 6000 lb - 48"	
10	3020800	1	Jack, square drop leg - 8000 lb	
11	3023517	2	Screw, .625-11 x 5.25 standard hex, G8	
12	3023540	4	Washer, .625 x 1.750OD	
13	19519	1	Coupler, 2.31 in. ball	
14	3023497	2	Nut, .625-11 nylock, G8	

TANDEM TRAILER ASSEMBLY (IF EQUIPPED)

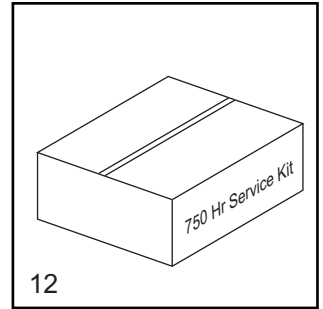
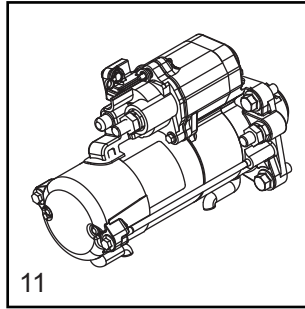
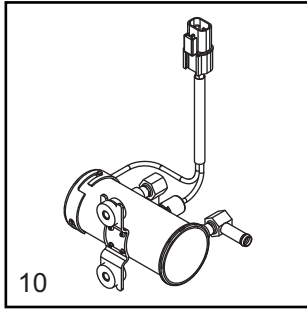
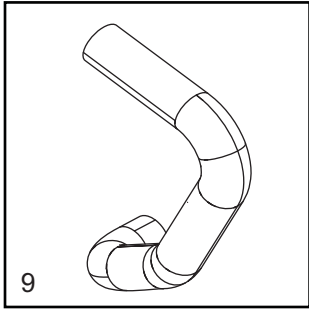
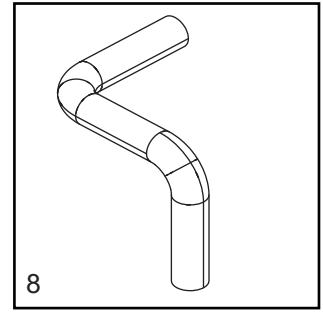
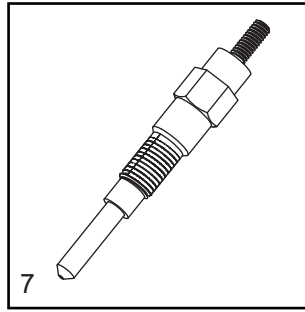
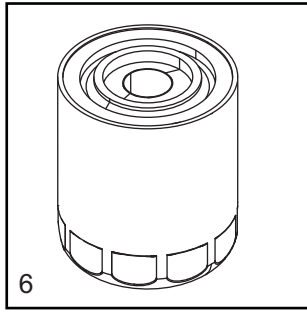
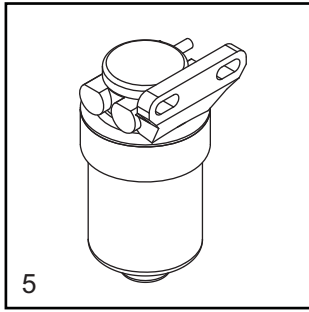
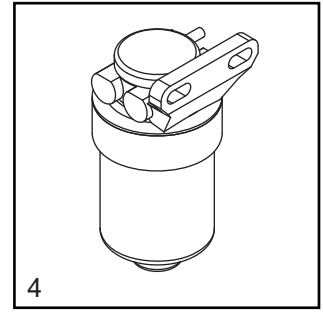
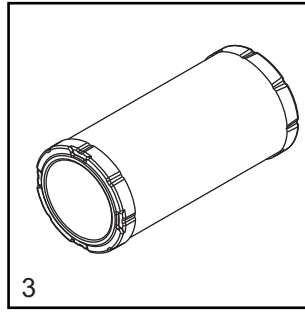
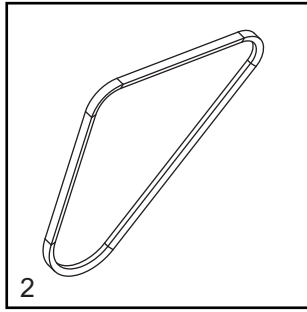
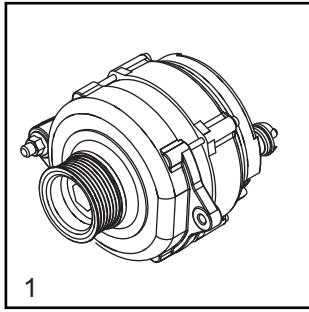


02988

TANDEM TRAILER ASSEMBLY (IF EQUIPPED)

Item	Part No.	Qty	Description	Notes
1	60386	16	Washer, .375 flat .993/.064	
2	60358	8	Nut, .375-16 nylock, G5	
3	10000046846	2	Fender	
4	MAC3637	2	Grommet, 6.00 oval	
5	MAC4083	2	Light, 6.00 oval LED stop/turn/tail	
6	61036	8	Screw, .375-16 x 1.250 standard hex - SS	
7	60503	14	Screw, shackle - .562-18 x 3.0 standard hex, G5	
8	60504	14	Nut, .562-18 lock, G5	
9	40545	2	Equalizer, 5.625 centers	
10	18377B	4	Wheel, ST225/75R15 - black	
11	60096	24	Nut, .500-20 lug, G5	
12	19637	8	Plate, shackle bracket	
13	MAC0594	2	Assembly, axle 6000 lb - 48"	
14	10000046939	1	Weldment, trailer	
15	3020800	1	Jack, square drop leg - 8000 lb	
16	60309	10	Washer, .500 flat 1.060/.090	
17	60390	2	Screw, .500-13 x 3.50 standard hex, G5	
18	23367	2	Chain, safety 7800 lbs rated	
19	3023517	2	Screw, .625-11 x 5.50 standard hex, G8	
20	3023540	4	Washer, .625 flat	
21	MAC0069	1	Coupler, 2.31 in. ball	
22	3023497	2	Nut, .625-11 nylock, G8	
23	62221	2	Nut, .500-13 nylock, G5	

RECOMMENDED SPARE PARTS - ENGINE



RECOMMENDED SPARE PARTS - ENGINE

1. Alternator	MAC4033
2. Belt, fan	3020945
3. Filter, air	MAC4036
4. Filter, fuel - primary	MAC4028
5. Filter, fuel - secondary	29773SRV
6. Filter, oil	MAC4026
7. Glow Plug	MAC4031
8. Hose, radiator - upper	3021010
9. Hose, radiator - lower	3021009
10. Pump, fuel	33764
11. Starter	MAC4032

SERVICE KITS

12. 750 hour kit.....	A0000322425
-----------------------	-------------

Includes: Air Filter MAC4036, Primary Fuel Filter Element MAC4028, Secondary Fuel Filter Element MAC4027, 7 Micron Filter MAC3521, 9 Micron Filter MAC3522 and Oil Filter MAC4026

RECOMMENDED SPARE PARTS - ELECTRICAL

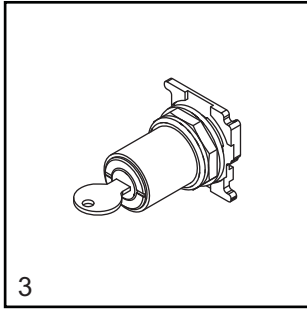
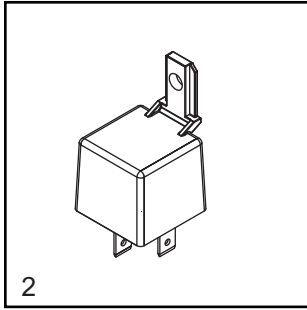
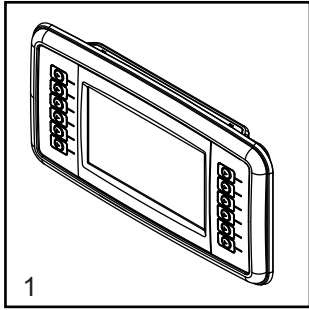


IMAGE
UNAVAILABLE

4

IMAGE
UNAVAILABLE

5

IMAGE
UNAVAILABLE

6

RECOMMENDED SPARE PARTS - ELECTRICAL

1. Display	3020754
2. Relay, 12V 30/50A N.O. w diode	68106
3. Switch, key included	3020703
4. Controller, programmed	MAC4166
5. Sensor, air intake/ambient temperature.....	3020941
6. Sender, outlet air temperature	MAC 4165

Part No. A0000263975 Rev. A 01/08/2020

©2020 Generac Mobile Products, LLC
All rights reserved.

Specifications are subject to change without notice.
No reproduction allowed in any form without prior written consent
from Generac Mobile Products, LLC.

GENERAC | **MOBILE**

Generac Mobile Products, LLC
215 Power Drive, Berlin, WI 54923
GeneracMobileProducts.com | 800-926-9768 | 920-361-4442